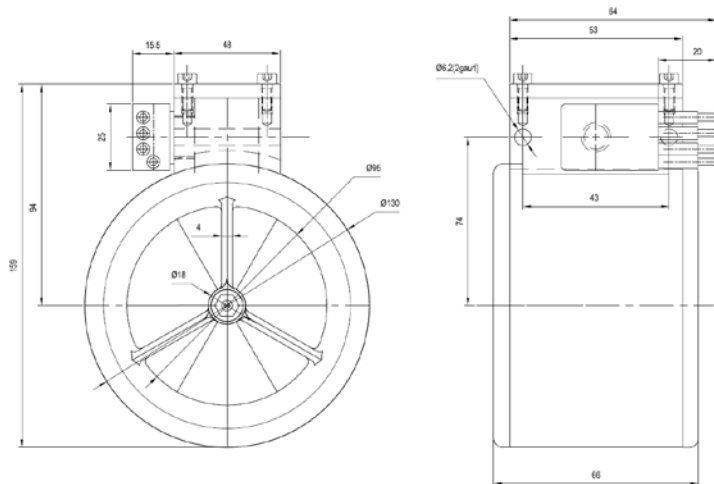


## RIM DRIVER PROPELER - RTH 90-35

### DESCRIPTION

Naval thruster with synchronous motor with permanent brushless magnets. The electric motor is embedded into the propeller rim. The propeller is driven thru its edge directly by the electric motor. The propulsion force and efficiency are higher, compared to conventional systems and the motor is easier to protect against water.



### DIMENSIONS

Outer diameter of the propeller: 90 mm  
Outer diameter of the propulsion systems: 130 mm  
Total length of the propulsion systems: 66 mm

### APPLICATIONS

Naval propulsion  
Mini-submarines  
Underwater robots  
Hydrogenerators

### CHARACTERISTICS

Propulsion force: 50 N  
Supply voltage: 325 Vdc  
Power: 590 W  
Nominal speed: 2400 rot/min  
Weight: 1,5 kg