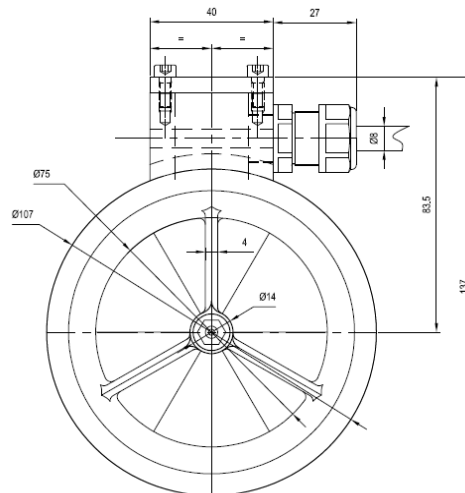


RIM DRIVER PROPELER - RTH 75-24

DESCRIPTION

Naval thruster with synchronous motor with permanent brushless magnets. The electric motor is embedded into the propeller rim. The propeller is driven thru its edge directly by the electric motor. The propulsion force and efficiency are higher, compared to conventional systems and the motor is easier to protect against water.



DIMENSIONS

Outer diameter of the propeller: 75 mm
Outer diameter of the propulsion systems: 107 mm
Total length of the propulsion systems: 85 mm

APPLICATIONS

Naval propulsion
Mini-submarines
Underwater robots
Hydrogenerators

CHARACTERISTICS

Propulsion force: 26 N
Supply voltage: 36 Vdc
Power: 250 W
Nominal speed: 2500 rot/min
Weight: 1kg



Noi folosim hârtie 100% reciclată.