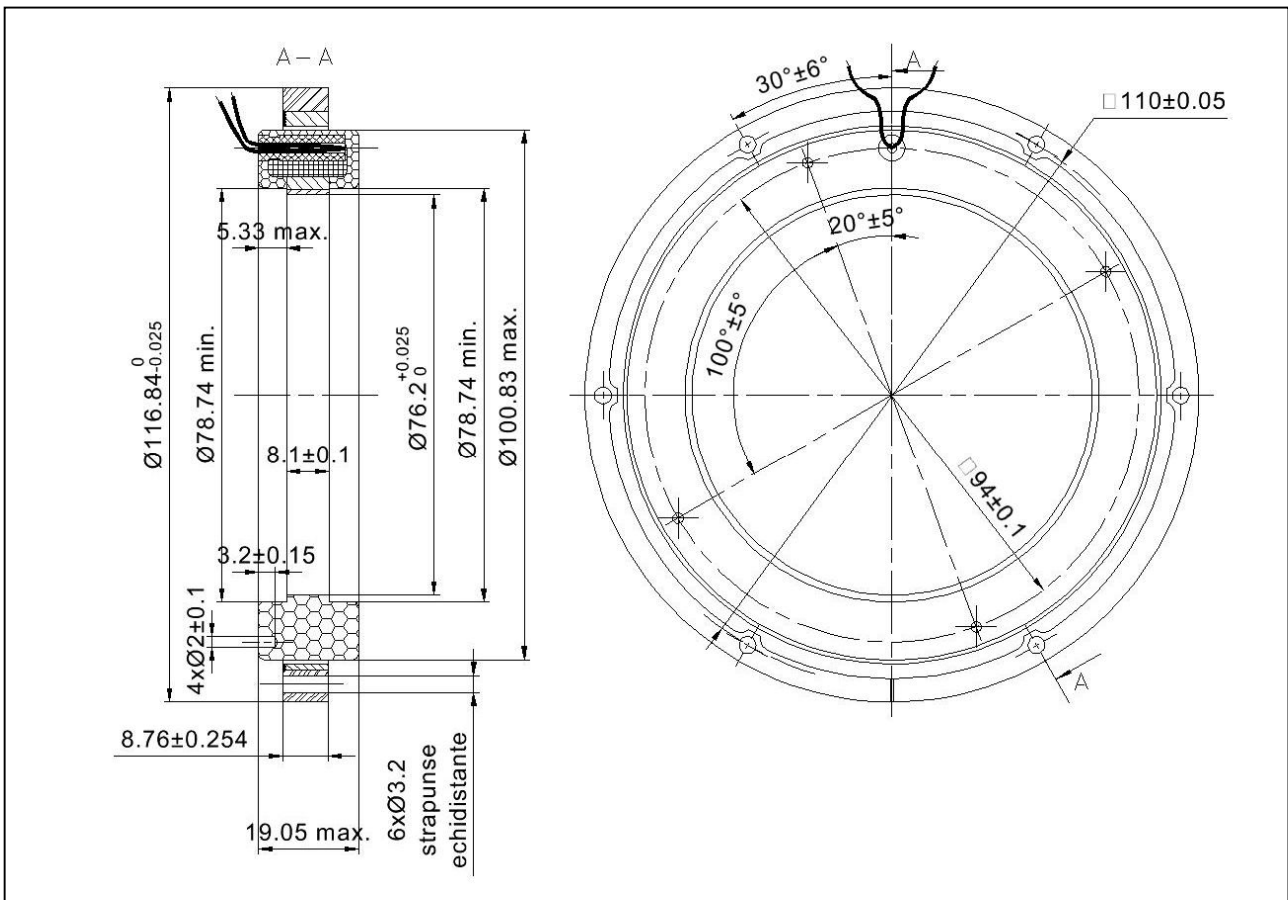


## DC Brushed Torque Motor - type: TQRI-46-0.75

<i>Technical Features</i>		
Peak Torque	$0.459 \pm 10\%$	Nm
Peak Current	1.08	A
Torque Sensitivity	$0.438 \pm 10\%$	Nm/A
DC Resistance at 25°C	$8.9 \pm 12.5\%$	$\Omega$
Back EMF Constant	$0.459 \pm 10\%$	V/rad/sec
Inductance	$4.3 \pm 30\%$	mH
Breakaway Torque	max. 2	mNm



**The DC Brushed Torque Motor is manufactured to meet the requirements of SR EN ISO 9001/01;14001/05**

ICPE C4 - messico

PHONE: +40 21 589 34 09;  
 FAX: +40 21 346 72 90; e-mail: [messico@icpe.ro](mailto:messico@icpe.ro)



**ELECTRICAL ENGINEERING Co.**

RESEARCH AND DEVELOPMENT  
 MANUFACTURING  
 INTERNATIONAL BUSINESS

313 Splaiul Unirii, 030138 Bucuresti, ROMANIA  
 Tel.: +40 21 5893300; Fax: +40 21 5893434; e-mail: [icpe.sa@icpe.ro](mailto:icpe.sa@icpe.ro); <http://www.icpe.ro>

