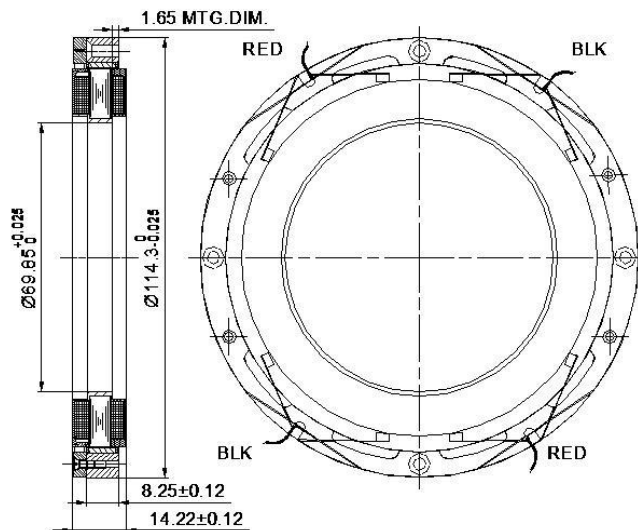




DC Brushed Torque Motor type : TQRB-45-0.56



Performance Data

Parameter	Symbol	Units	Value
Peak Torque, stalled @Vp	Tp	Nm	2.3
Power Input @Tp	P	W	248
Motor Constant	Km	Nm/ \sqrt{W}	0.146
Electrical Time Constant	Te	ms	0.59
No Load Speed Theoretical @ Vp	ω_{NLT}	rpm	1031
Break Away Torque	Tf	mNm	56.5
Ripple Torque	TR	% (avg to peak)	7
Maximum Allowable Temperature	Temp.	°C (at winding)	180
Thermal Resistance	tpr	°C/W	6.9
Weight	WT	g	397
Rotor Inertia	Jm	Kg m ²	4.19*10 ⁻⁴

Winding Constants

Parameter	Symbol	Units	Tolerance	Value
D.C. Resistance	R	Ω	$\pm 12.5\%$	5.43
Inductance	L	mH	$\pm 30\%$	3.19
Torque Sensitivity	Kt	Nm/A	$\pm 10\%$	0.34
Back EMF Constant	Kb	V/(rad/sec)	$\pm 10\%$	0.34
Peak Voltage @ Tp	Vp	V	Nominal	36.7
Peak Current @ Tp	Ip	A	Nominal	6.76

Leads AWG 24 teflon coated; 300 mm minimum length.

Direction of rotation viewed from brush end, CW when a positive voltage is applied to the red lead relative to the black.

Insulation resistance @ 500 V D.C., min 100 M Ω .

Dielectric withstanding voltage - withstand at 500 V rms; 50 Hz ; 1 minute between either lead and armature.

All measurements are made at 25 °C ambient temperature.

Mounting dimensions and color of wires can be changed in conformity with customer requirement.

icpe S.A. www.icpe.ro e-mail: office@icpe.ro
 phone: +40 21 589 33 00 fax: +40 21 589 34 34
 icpe C4 –messico www.icpe.ro/messico e-mail: messico@icpe.ro
 phone: +40 21 589 34 09 fax: +40 21 346 72 90

