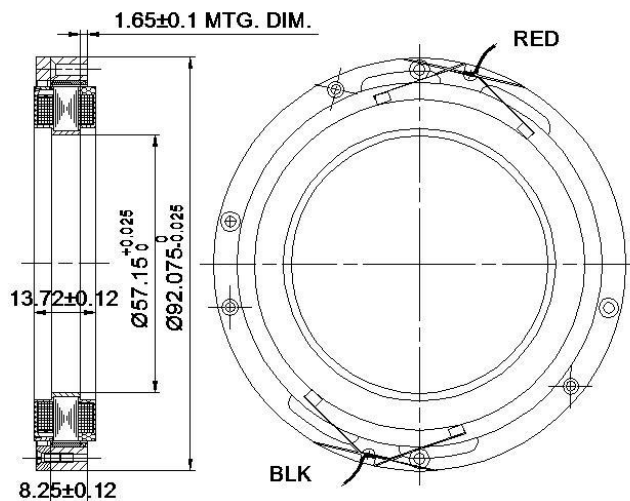




DC Brushed Torque Motor type : TQRB-37-0.54B



Performance Data

Parameter	Symbol	Units	Value
Peak Torque, stalled @Vp	Tp	Nm	1.06
Power Input @Tp	P	W	154
Motor Constant	Km	mNm/\sqrt{W}	85.4
Electrical Time Constant	Te	ms	0.37
No Load Speed Theoretical @ Vp	ω_{NLT}	rpm	1390
Break Away Torque	Tf	mNm	31.8
Ripple Torque	TR	% (avg to peak)	7
Maximum Allowable Temperature	Temp.	°C (at winding)	180
Thermal Resistance	tpr	°C/W	10.1
Weight	WT	g	241
Rotor Inertia	Jm	Kg m^2	$1.61 * 10^{-4}$

Winding Constants

Parameter	Symbol	Units	Tolerance	Value
D.C. Resistance	R	Ω	$\pm 12.5\%$	3.43
Inductance	L	mH	$\pm 30\%$	1.27
Torque Sensitivity	Kt	Nm/A	$\pm 10\%$	0.158
Back EMF Constant	Kb	V/(rad/sec)	$\pm 10\%$	0.158
Peak Voltage @ Tp	Vp	V	Nominal	23
Peak Current @ Tp	Ip	A	Nominal	6.7

Leads AWG 22 PTFE coated; 300 mm minimum length.

Direction of rotation viewed from brush end, CW when a positive voltage is applied to the red lead relative to the black.

Insulation resistance @ 250 V D.C., min 100 M Ω .

All measurements are made at 25 °C ambient temperature.

Mounting dimensions and color of wires can be changed in conformity with customer requirement.

icpe S.A. www.icpe.ro e-mail: office@icpe.ro
 phone: +40 21 589 33 00 fax: +40 21 589 34 34
 icpe C4 –messico www.icpe.ro/messico e-mail: messico@icpe.ro
 phone: +40 21 589 34 09 fax: +40 21 346 72 90

