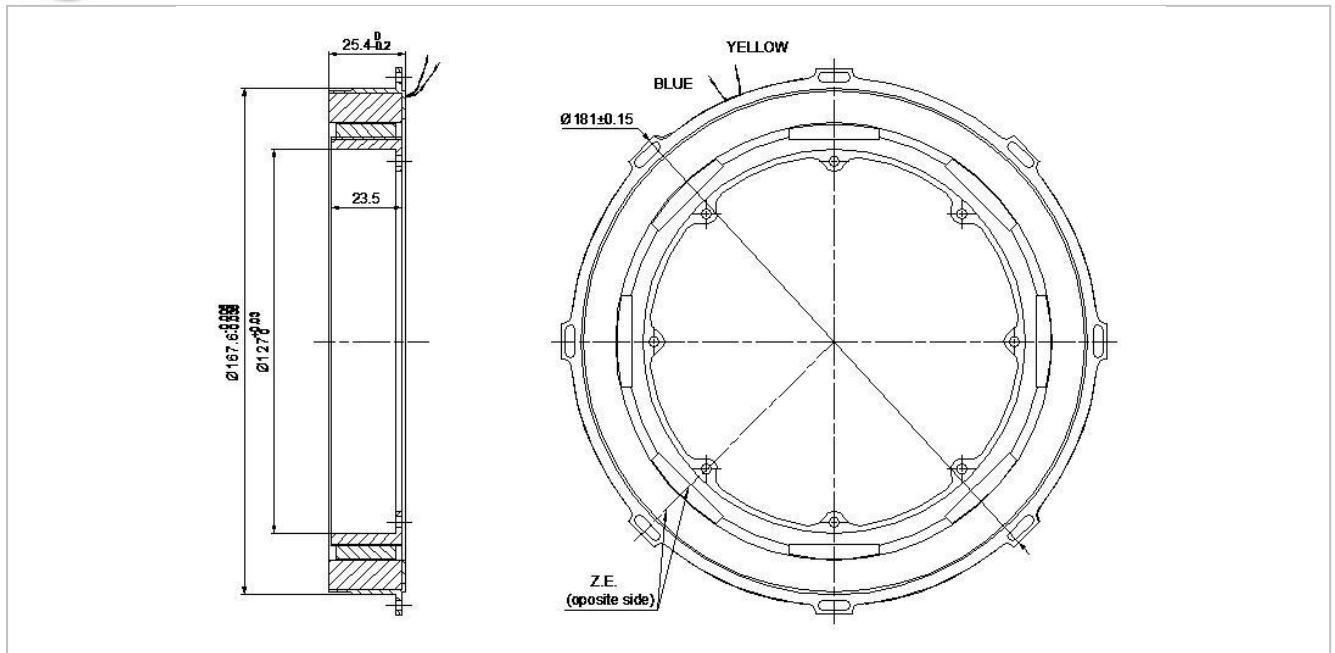




DC Brushless Torque Motor type : TQR-66/8-1.0

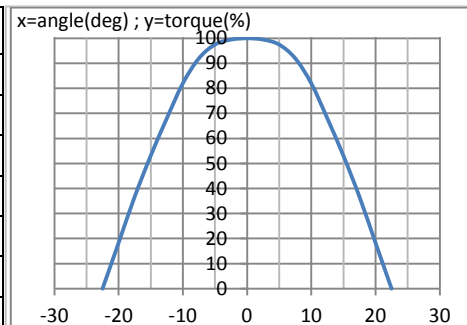


Performance Data

Parameter	Symbol	Units	Value
Peak Torque, stalled @Vp	Tp	Nm	1.76
Power Input @Tp	P	W	48.65
Motor Constant	Km	Nm/ \sqrt{W}	0.253
Electrical Time Constant	Te	ms	2.4
Rotor Inertia	Jm	Kg m ²	TBD
Angular Excursion		deg	±22.5
Total Break Away Torque	Tf	mNm	21.2(max)
Maximum Allowable Temperature	Temp.	°C (at winding)	155
Number of poles			8
Weight	WT	g	1400

Winding Constants

Parameter	Symbol	Units	Tol.	Value
D.C. Resistance	R	Ω	±12.5%	6.3
Inductance	L	mH	±30%	15.1
Torque Sensitivity	Kt	Nm/A	±10%	0.636
Back EMF Constant	Kb	V/(rad/sec)	±10%	0.636
Peak Voltage @ Tp	Vp	V	Nominal	17.5
Peak Current @ Tp	Ip	A	Nominal	2.78



Leads AWG 24 teflon coated; 300 mm minimum length.

Direction of rotation viewed from lead side, CW when a positive voltage is applied to the red lead relative to the black.

Insulation resistance @ 500 V D.C., min 100 M Ω .

Dielectric withstanding voltage - withstand at 500 V rms; 50 Hz ; between winding and housing.

All measurements are made at 25 °C ambient temperature.

Mounting dimensions and color of wires can be changed in conformity with customer requirement.

icpe www.icpe.ro e-mail: office@icpe.ro

phone: +40 21 589 33 00 fax: +40 21 589 34 34

icpe C4 –messico www.icpe.ro/messico e-mail: messico@icpe.ro

phone: +40 21 589 34 09 fax: +40 21 346 72 90

