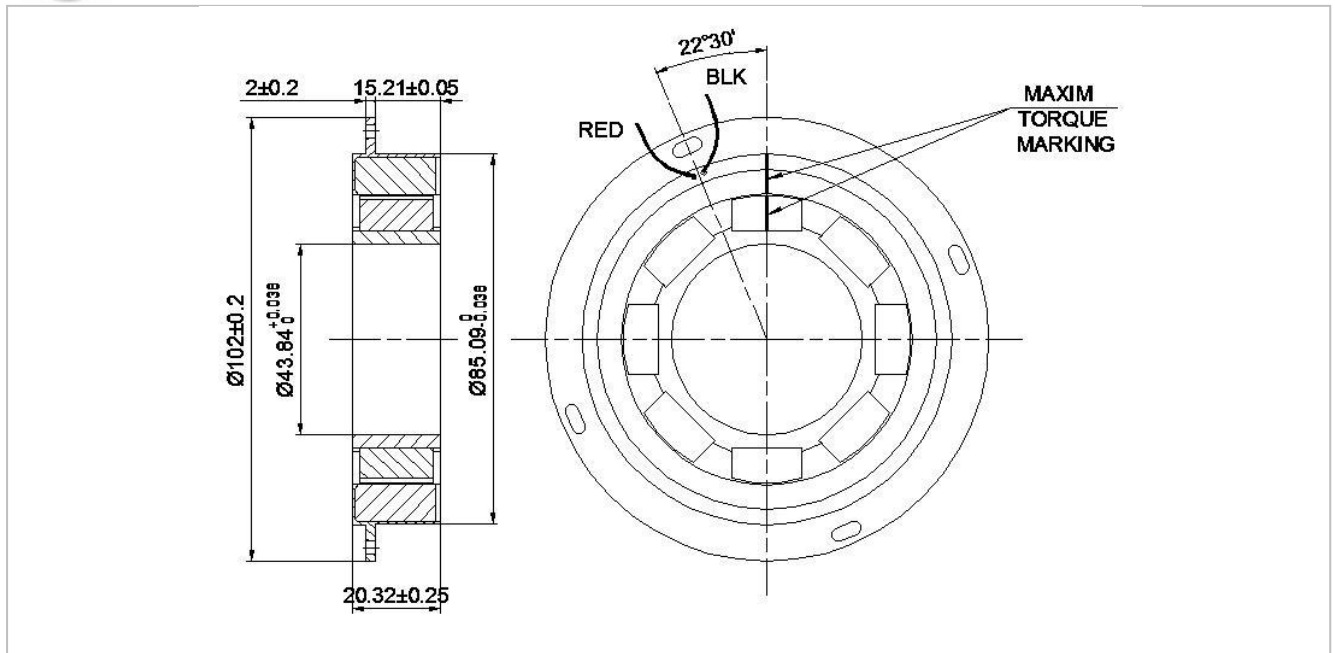




DC Brushless Torque Motor type : TQR-34/8-0.8

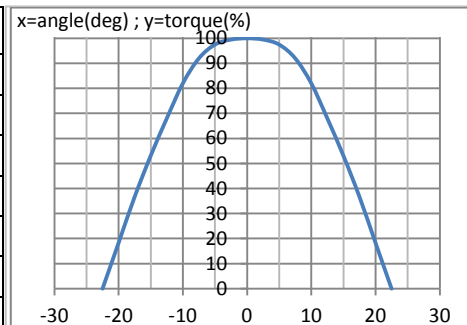


Performance Data

Parameter	Symbol	Units	Value
Peak Torque, stalled @Vp	Tp	Nm	1.15
Power Input @Tp	P	W	84.64
Motor Constant	Km	Nm/ \sqrt{W}	0.125
Electrical Time Constant	Te	ms	0.65
Rotor Inertia	Jm	Kg m ²	2*10 ⁻⁴
Angular Excursion		deg	±22.5
Total Break Away Torque	Tf	mNm	10(max)
Maximum Allowable Temperature	Temp.	°C (at winding)	180
Number of poles			8
Weight	WT	g	530

Winding Constants

Parameter	Symbol	Units	Tol.	Value
D.C. Resistance	R	Ω	±12.5%	4
Inductance	L	mH	±30%	2.6
Torque Sensitivity	Kt	Nm/A	±10%	0.25
Back EMF Constant	Kb	V/(rad/sec)	±10%	0.25
Peak Voltage @ Tp	Vp	V	Nominal	18.4
Peak Current @ Tp	Ip	A	Nominal	4.6



Leads AWG 24 teflon coated; 250 mm minimum length.

Direction of rotation viewed from lead side, CW when a positive voltage is applied to the red lead relative to the black.

Insulation resistance @ 250 V D.C., min 100 M Ω .

Dielectric withstanding voltage - withstand at 250 V rms; 50 Hz ; between winding and housing.

All measurements are made at 25 °C ambient temperature.

Mounting dimensions and color of wires can be changed in conformity with customer requirement.

icpe S.A. www.icpe.ro e-mail: office@icpe.ro

phone: +40 21 589 33 00 fax: +40 21 589 34 34

icpe C4 –messico www.icpe.ro/messico e-mail: messico@icpe.ro

phone: +40 21 589 34 09 fax: +40 21 346 72 90

