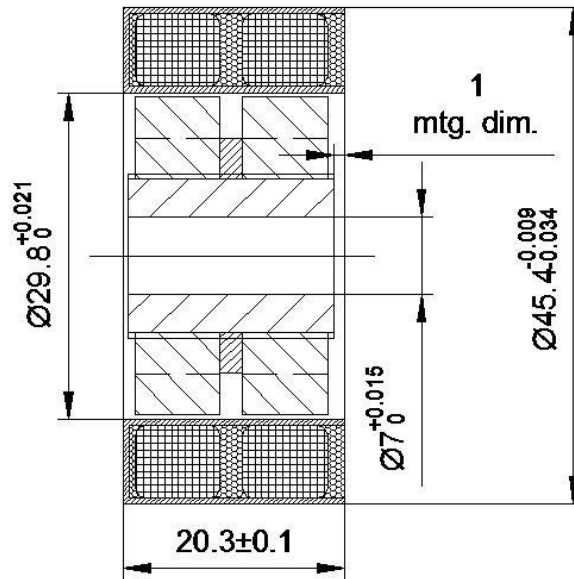




# DC Brushless Torque Motor type : TQR-18/2-0.8-2CH

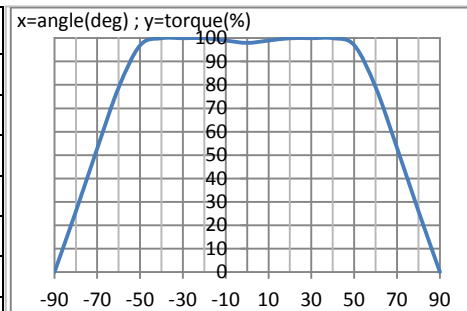


## Performance Data

Parameter	Symbol	Units	Value
Peak Torque, stalled @Vp	Tp	mNm	60
Power Input @Tp	P	W	30
Motor Constant	Km	mNm/√W	10.9
Electrical Time Constant	Te	ms	0.667
Rotor Inertia	Jm	Kg m <sup>2</sup>	9.8*10 <sup>-6</sup>
Angular Excursion		deg	±90
Total Break Away Torque	Tf	mNm	6 max.
Maximum Allowable Temperature	Temp.	°C (at winding)	155
Number of poles			2
Weight	WT	g	175

## Winding Constants

Parameter	Symbol	Units	Tol.	Value
D.C. Resistance	R	Ω	±12.5%	7.5
Inductance	L	mH	±30%	5
Torque Sensitivity	Kt	mNm/A	±10%	30
Back EMF Constant	Kb	V/(rad/sec)	±10%	0.03
Peak Voltage @ Tp	Vp	V	Nominal	15
Peak Current @ Tp	Ip	A	Nominal	2



Leads AWG 24 teflon coated; 300 mm minimum length.

Direction of rotation viewed from lead side, CW when a positive voltage is applied to the red lead relative to the black.

Insulation resistance @ 500 V D.C., min 100 MΩ.

Dielectric withstanding voltage - withstand at 500 V rms; 50 Hz ; between winding and housing.

All measurements are made at 25 °C ambient temperature.

Mounting dimensions and color of wires can be changed in conformity with customer requirement.

The product include two identical LAT motors, each of them with the performance data from the table

icpe S.A. [www.icpe.ro](http://www.icpe.ro) e-mail: [office@icpe.ro](mailto:office@icpe.ro)  
 phone: +40 21 589 33 00 fax: +40 21 589 34 34  
 icpe C4 –messico [www.icpe.ro/messico](http://www.icpe.ro/messico) e-mail: [messico@icpe.ro](mailto:messico@icpe.ro)  
 phone: +40 21 589 34 09 fax: +40 21 346 72 90

