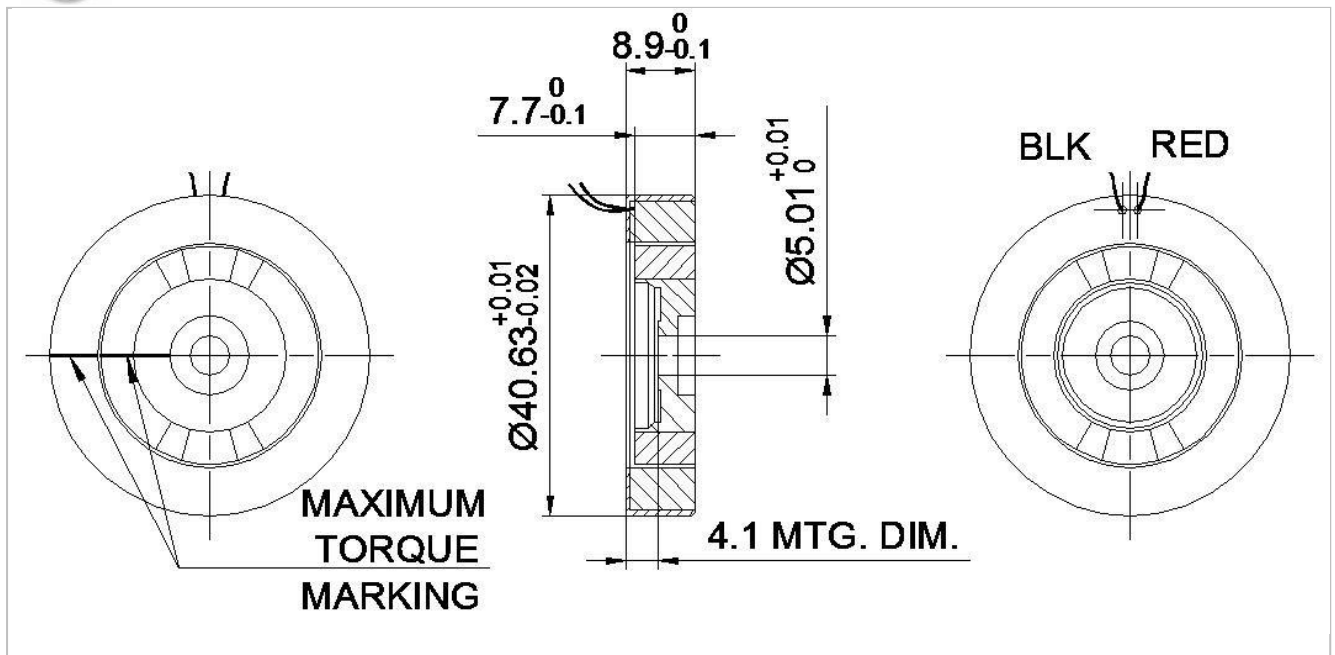




DC Brusless Torque Motor type : TQR-16/2-0.35-C

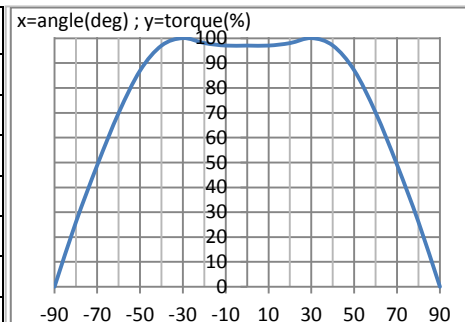


Performance Data

Parameter	Simbol	Units	Value
Peak Torque, stalled @Vp	Tp	mNm	74.8
Power Input @Tp	P	W	92.8
Motor Constant	Km	mNm/ \sqrt{W}	7.76
Electrical Time Constant	Te	ms	0.466
Rotor Inertia	Jm	Kg m ²	2.5*10 ⁻⁶
Angular Excursion		deg	±90
Total Break Away Torque	Tf	mNm	1.5
Maximum Allowable Temperature	Temp.	°C (at winding)	155
Number of poles			2
Weight	WT	g	65

Winding Constants

Parameter	Simbol	Units	Tol.	Value
D.C. Resistance	R	Ω	±12.5%	5.8
Inductance	L	mH	±30%	2.7
Torque Sensitivity	Kt	mNm/A	±10%	18.7
Back EMF Constant	Kb	V/(rad/sec)	±10%	0.0187
Peak Voltage @ Tp	Vp	V	Nominal	23.2
Peak Current @ Tp	Ip	A	Nominal	4



Leads AWG 24 teflon coated; 300 mm minimum length.

Direction of rotation viewed from lead side, CW when a positive voltage is applied to the red lead relative to the black.

Insulation resistance @ 250 V D.C. ± 10 V, min 100 MΩ.

Dielectric withstanding voltage - withstand at 250 V rms ± 10V; 50 Hz ; between winding and housing.

All measurements are made at 25 °C ambient temperature.

Mounting dimensions and color of wires can be changed in conformity with customer requirement.

icpe S.A. www.icpe.ro e-mail: office@icpe.ro

phone: +40 21 589 33 00 fax: +40 21 589 34 34

icpe C4 –messico www.icpe.ro/messico e-mail: messico@icpe.ro

phone: +40 21 589 34 09 fax: +40 21 346 72 90

