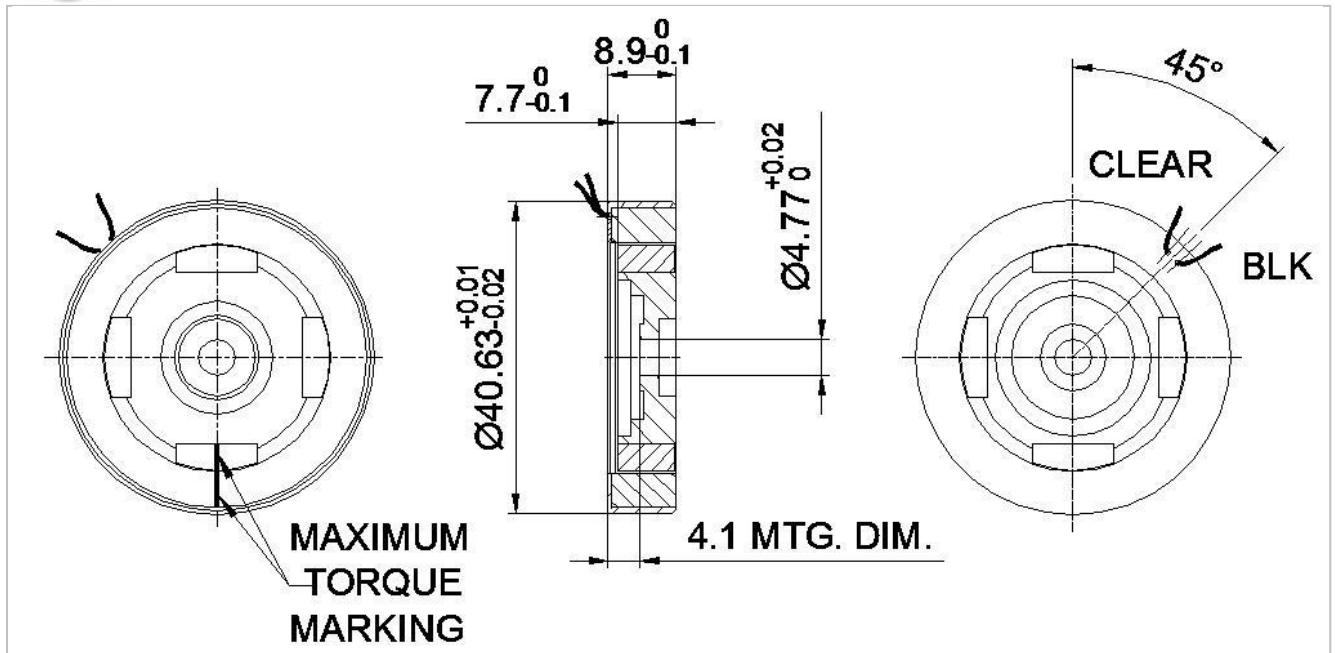




DC Brusless Torque Motor type : TQR-16/4-0.35

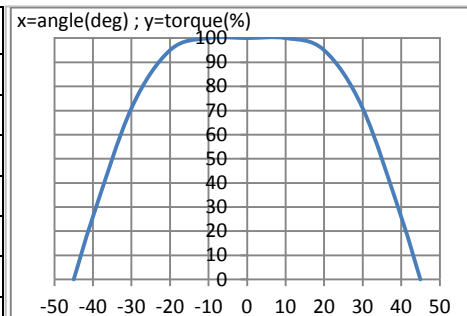


Performance Data

Parameter	Simbol	Units	Value
Peak Torque, stalled @Vp	Tp	mNm	44
Power Input @Tp	P	W	29
Motor Constant	Km	mNm/ \sqrt{W}	8.17
Electrical Time Constant	Te	ms	0.256
Rotor Inertia	Jm	Kg m ²	2.3*10 ⁻⁶
Angular Excursion		deg	±45
Total Break Away Torque	Tf	mNm	1(max.)
Maximum Allowable Temperature	Temp.	°C (at winding)	155
Number of poles			4
Weight	WT	g	54

Winding Constants

Parameter	Simbol	Units	Tol.	Value
D.C. Resistance	R	Ω	±12.5%	6
Inductance	L	mH	±30%	1.54
Torque Sensitivity	Kt	mNm/A	±10%	20
Back EMF Constant	Kb	V/(rad/sec)	±10%	0.02
Peak Voltage @ Tp	Vp	V	Nominal	13.2
Peak Current @ Tp	Ip	A	Nominal	2.2



All measurements are made at 25 °C ambient temperature.

Leads AWG 32 teflon coated; 300 mm minimum length.

Direction of rotation viewed from lead side, CW when a positive voltage is applied to the clear lead relative to the black.

Insulation resistance @ 500 V D.C., min 100 MΩ.

Dielectric withstanding voltage - withstand at 250 V rms; 50 Hz

Mounting dimensions and color of wires can be changed in conformity with customer requirement.

icpe www.icpe.ro e-mail: office@icpe.ro
 phone: +40 21 589 33 00 fax: +40 21 589 34 34
 icpe messico dpt. www.icpe.ro/messico e-mail: messico@icpe.ro
 phone: +40 21 589 34 09 fax: +40 21 346 72 90

