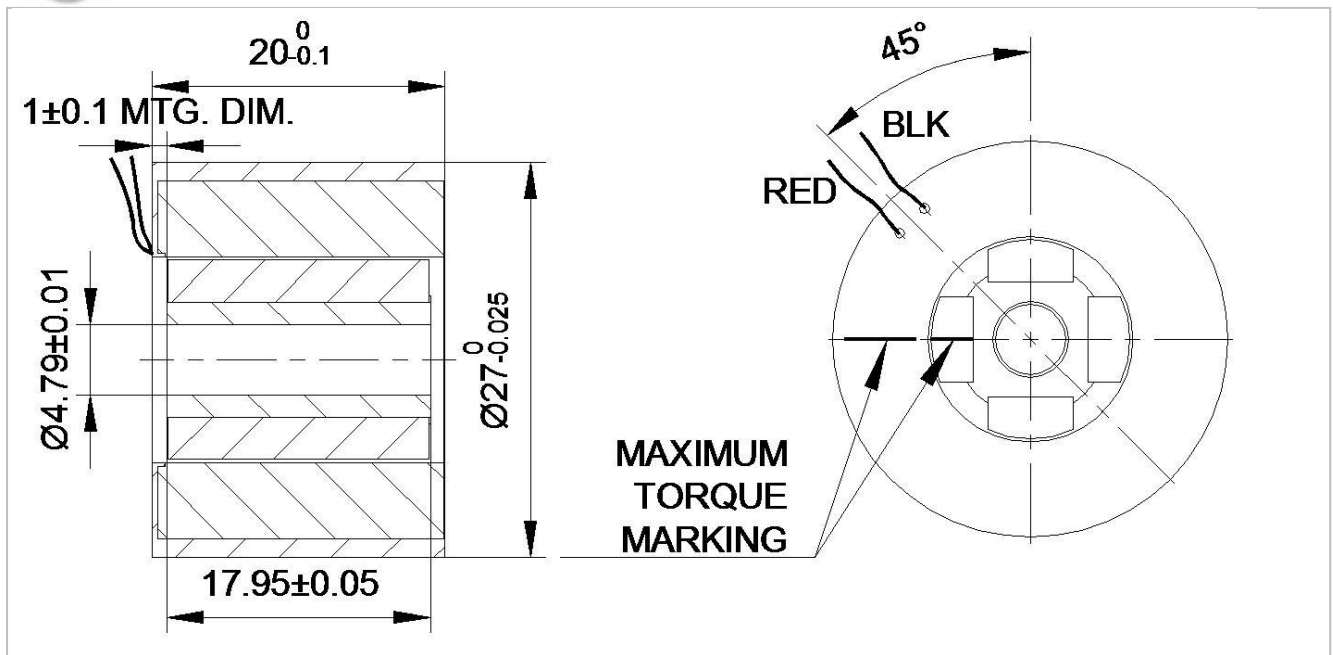




DC Brushless Torque Motor type : TQR-11/4-0.8

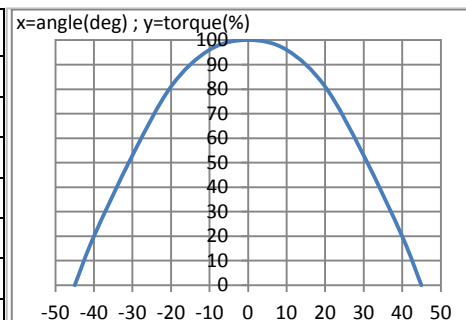


Performance Data

Parameter	Symbol	Units	Value
Peak Torque, stalled @Vp	Tp	mNm	97.2
Power Input @Tp	P	W	100
Motor Constant	Km	mNm/ \sqrt{W}	9.72
Electrical Time Constant	Te	ms	0.274
Rotor Inertia	Jm	Kg m ²	$3 \cdot 10^{-7}$
Angular Excursion		deg	± 45
Total Break Away Torque	Tf	mNm	0.14(max.)
Maximum Allowable Temperature	Temp.	°C (at winding)	155
Number of poles			4
Weight	WT	g	55(max.)

Winding Constants

Parameter	Symbol	Units	Tol.	Value
D.C. Resistance	R	Ω	$\pm 12.5\%$	5.76
Inductance	L	mH	$\pm 30\%$	1.58
Torque Sensitivity	Kt	mNm/A	$\pm 10\%$	23.3
Back EMF Constant	Kb	V/(rad/sec)	$\pm 10\%$	0.0233
Peak Voltage @ Tp	Vp	V	Nominal	24.0
Peak Current @ Tp	Ip	A	Nominal	4.17



Leads AWG 28 teflon coated; 150 mm minimum length.

Direction of rotation viewed from lead side, CW when a positive voltage is applied to the red lead relative to the black.

Insulation resistance @ 250 V D.C., min 100 M Ω .

All measurements are made at 25 °C ambient temperature.

Mounting dimensions and color of wires can be changed in conformity with customer requirement.

icpe S.A. www.icpe.ro e-mail: office@icpe.ro

phone: +40 21 589 33 00 fax: +40 21 589 34 34

icpe C4 –messico www.icpe.ro/messico e-mail: messico@icpe.ro

phone: +40 21 589 34 09 fax: +40 21 346 72 90

