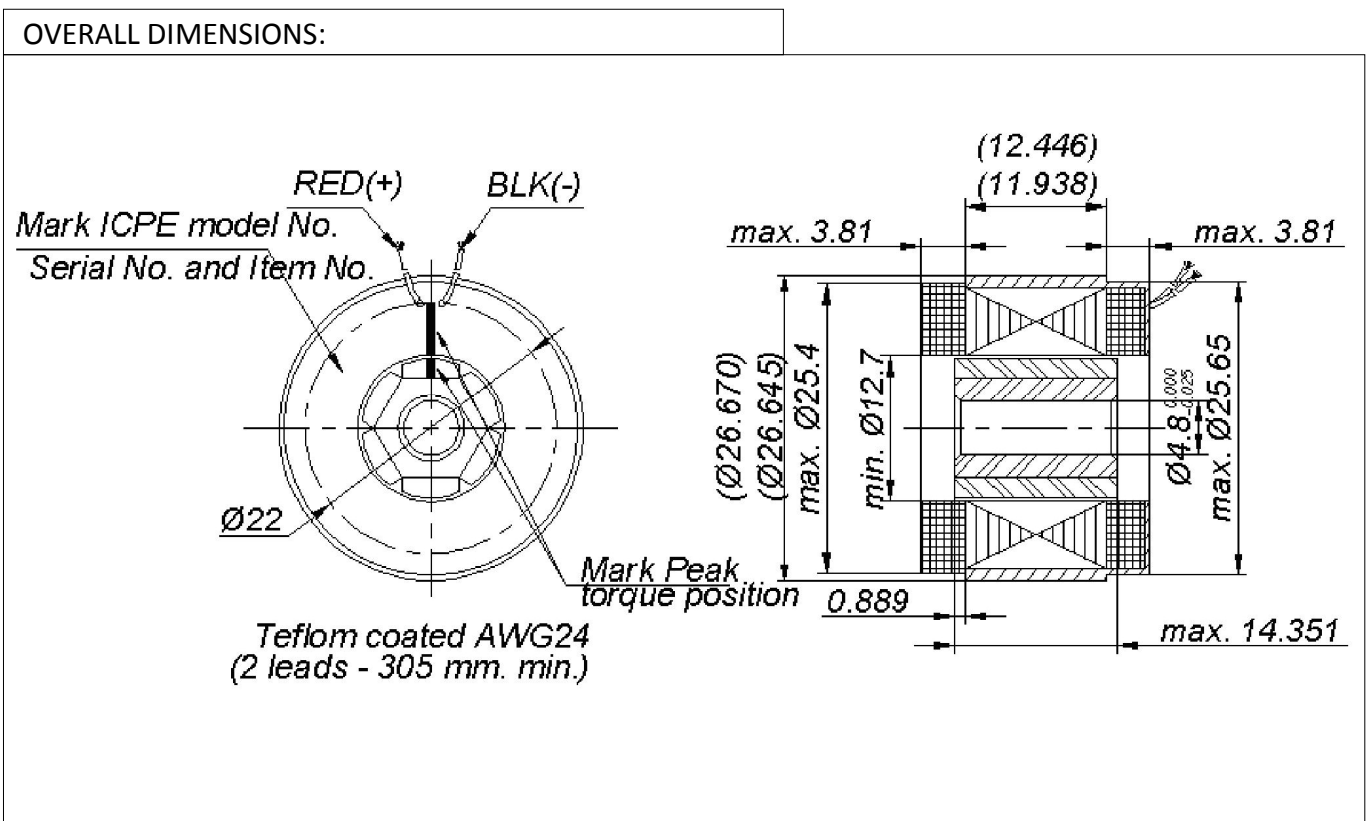


DC Brushless Torque Motor - type: TQR-11.8-0.085

TECHNICAL FEATURES:		
Peak Torque at 0°	84.739 ± 10%	mNm
Current at Peak Torque	1.333	A
Peak Torque at ±10°	min. 87 % from PT at 0°	mNm
Torque Sensitivity	63.554 ± 10%	mNm/A
Breakaway Torque	max. 5.649	mNm
DC Resistance at 25°C	24 ± 10%	Ω
Inductance	max. 13	mH



The product is manufactured to meet the requirements of
SR EN ISO 9001/2008 ; 14001/2005 ; SR OHSAS 18001/2008