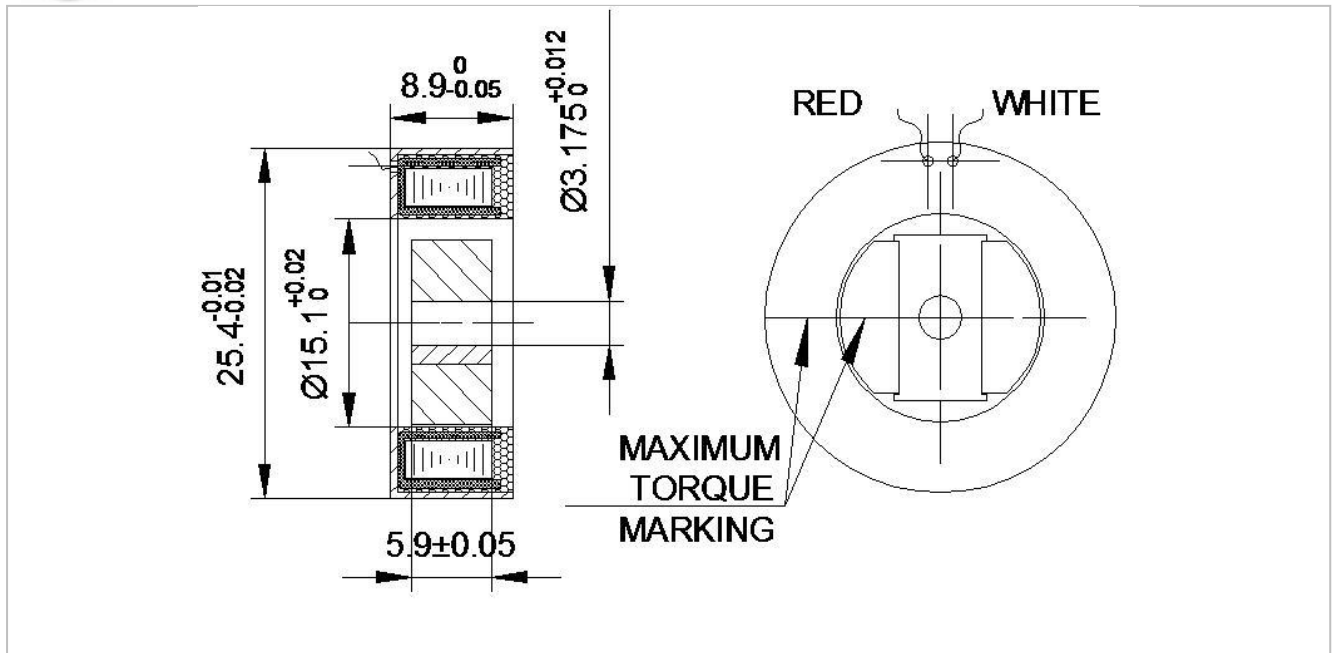




DC Brushless Torque Motor type : TQR-10/2-0.35

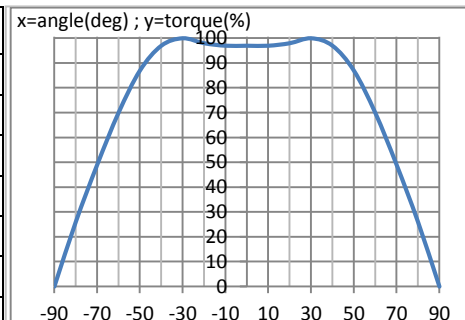


Performance Data

Parameter	Symbol	Units	Value
Peak Torque, stalled @Vp	Tp	mNm	12.7
Power Input @Tp	P	W	19.2
Motor Constant	Km	mNm/√W	2.9
Electrical Time Constant	Te	ms	0.3
Rotor Inertia	Jm	Kg m ²	2*10 ⁻⁷
Angular Excursion		deg	±90
Total Break Away Torque	Tf	mNm	0.39(max.)
Maximum Allowable Temperature	Temp.	°C (at winding)	155
Number of poles			2
Weight	WT	g	25

Winding Constants

Parameter	Symbol	Units	Tol.	Value
D.C. Resistance	R	Ω	±12.5%	37.0
Inductance	L	mH	±30%	11.0
Torque Sensitivity	Kt	mNm/A	±10%	17.6
Back EMF Constant	Kb	V/(rad/sec)	±10%	0.0176
Peak Voltage @ Tp	Vp	V	Nominal	26.6
Peak Current @ Tp	Ip	A	Nominal	0.72



Leads AWG 28 teflon coated; 150 mm minimum length.

Direction of rotation viewed from lead side, CCW when a positive voltage is applied to the red lead rel. to the white.

Insulation resistance @ 250 V D.C., min 100 MΩ.

Dielectric withstanding voltage - withstand at 250 V rms; 50 Hz ; between winding and housing.

All measurements are made at 25 °C ambient temperature.

Mounting dimensions and color of wires can be changed in conformity with customer requirement.

icpe www.icpe.ro e-mail: office@icpe.ro

phone: +40 21 589 33 00 fax: +40 21 589 34 34

icpe C4 –messico www.icpe.ro/messico e-mail: messico@icpe.ro

phone: +40 21 589 34 09 fax: +40 21 346 72 90

