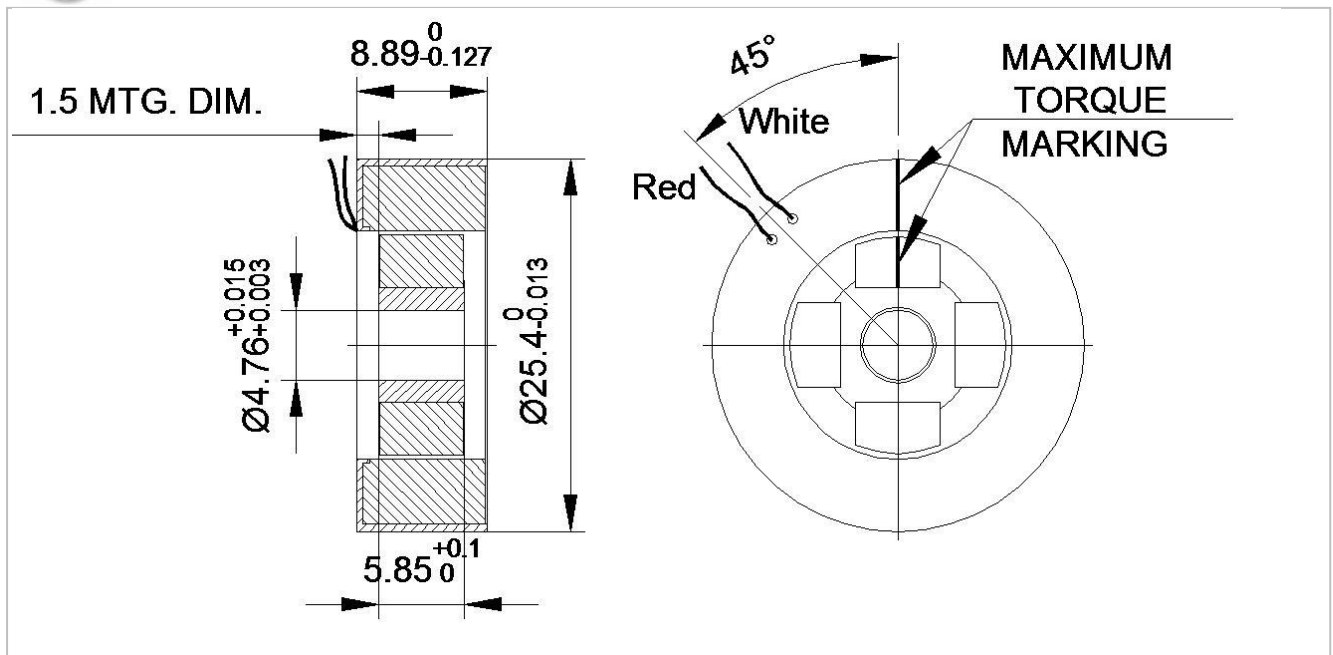




# DC Brusless Torque Motor type : TQR-10/4-0.35

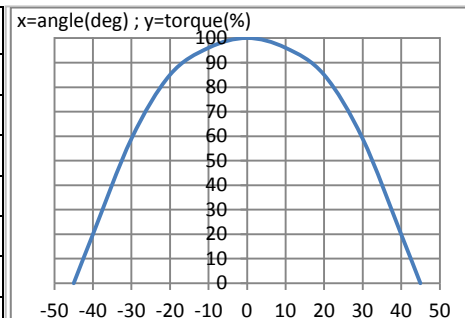


## Performance Data

Parameter	Simbol	Units	Value
Peak Torque, stalled @Vp	Tp	mNm	12.2
Power Input @Tp	P	W	20.6
Motor Constant	Km	mNm/ $\sqrt{W}$	2.69
Electrical Time Constant	Te	ms	0.118
Rotor Inertia	Jm	Kg m <sup>2</sup>	1.27*10 <sup>-7</sup>
Angular Excursion		deg	±45
Total Break Away Torque	Tf	mNm	0.247(max.)
Maximum Allowable Temperature	Temp.	°C (at winding)	155
Number of poles			4
Weight	WT	g	18.4

## Winding Constants

Parameter	Simbol	Units	Tol.	Value
D.C. Resistance	R	Ω	±12.5%	33.0
Inductance	L	mH	±30%	3.9
Torque Sensitivity	Kt	mNm/A	±10%	15.5
Back EMF Constant	Kb	V/(rad/sec)	±10%	0.0155
Peak Voltage @ Tp	Vp	V	Nominal	26.1
Peak Current @ Tp	Ip	A	Nominal	0.79



Leads AWG 32 teflon coated; 150 mm minimum length.

Direction of rotation viewed from lead side, CCW when a positive voltage is applied to the red lead rel. to the white.

Insulation resistance @ 500 V D.C., min 100 MΩ.

Dielectric withstanding voltage - withstand at 250 V rms; 50 Hz ; between winding and housing.

All measurements are made at 25 °C ambient temperature.

Mounting dimensions and color of wires can be changed in conformity with customer requirement.

icpe S.A. [www.icpe.ro](http://www.icpe.ro) e-mail: [office@icpe.ro](mailto:office@icpe.ro)

phone: +40 21 589 33 00 fax: +40 21 589 34 34

icpe C4 –messico [www.icpe.ro/messico](http://www.icpe.ro/messico) e-mail: [messico@icpe.ro](mailto:messico@icpe.ro)

phone: +40 21 589 34 09 fax: +40 21 346 72 90

