

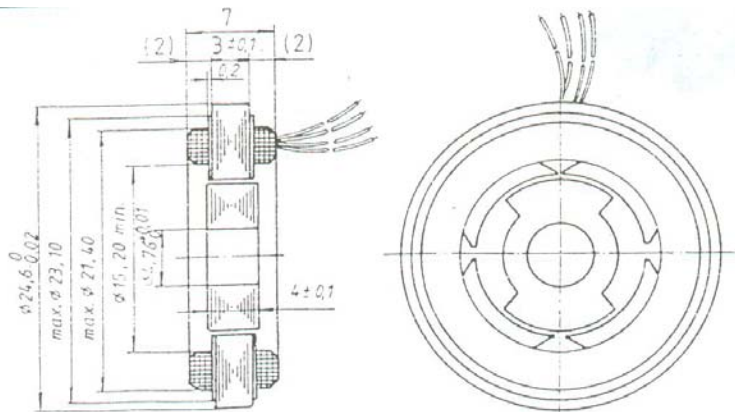
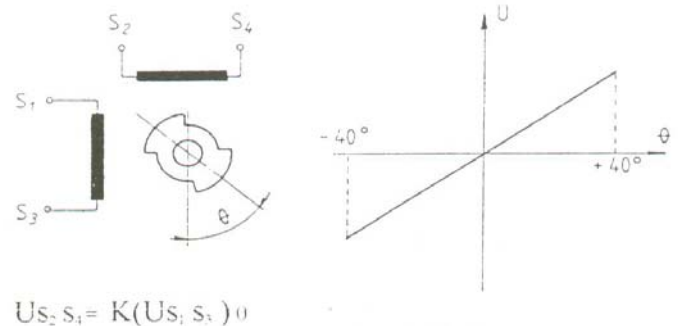
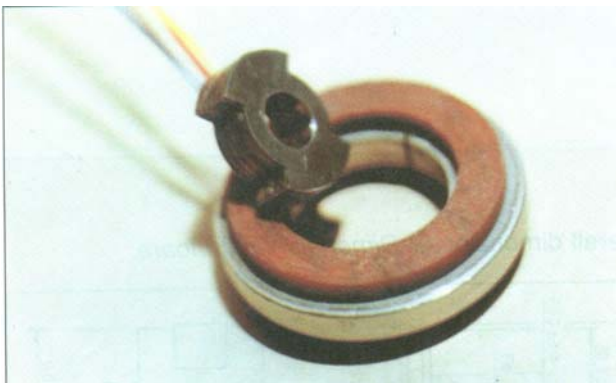
# ROTARY BRUSHLESS TRANSFORMER MICROSYN

## TECHNICAL FEATURES:

- Input Voltage 7V±1%
- Frequency 18 kHz±1%
- Output Scale Factor 140mV/deg.-3%
- Angular Range ± 40 deg.
- Linearity Error 0.35%
- Maximum Null Voltage 14 mV
- Input Current 22 mA±5%
- Weight max. 25g

## APPLICATIONS:

- Drive Systems



The ROTARY BRUSHLESS TRANSFORMER MICROSYN is manufactured to meet the requirements of SR EN ISO 9001/2001 ; 14001/2005

ICPE C4 - MESSICO

PHONE: +40 21 589 34 09;  
FAX: +40 21 346 72 90;  
e-mail: messico@icpe.ro



**ELECTRICAL ENGINEERING Co.**

- RESEARCH AND DEVELOPMENT
- MANUFACTURING
- INTERNATIONAL BUSINESS

313 Splaiul Unirii, 030138 Bucuresti, ROMANIA  
Tel.: +40 21 5893300; Fax: +40 21 5893434; e-mail: icpe.sa@icpe.ro; http://www.icpe.ro



QUALITY ENVIRONMENT INTEGRATE SYSTEM

