

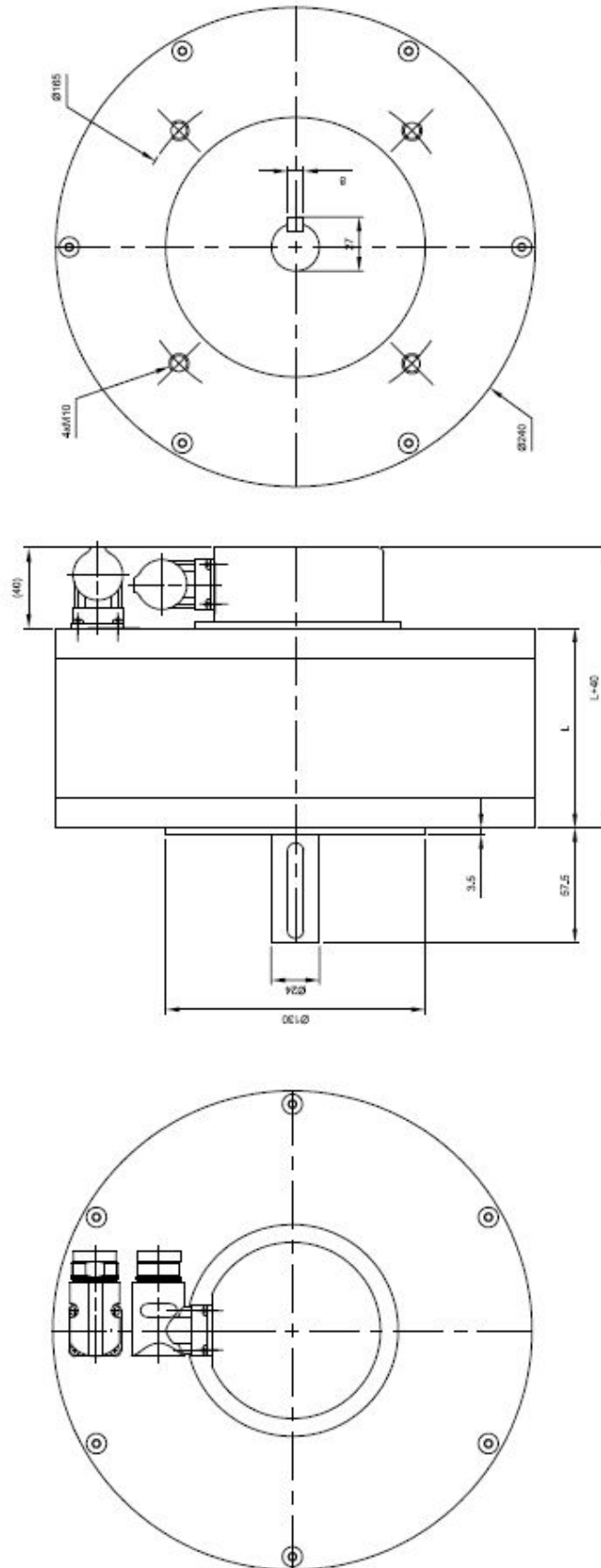
BSM 240 series brushless servomotors

The BSM 240 series motors are brushless synchronous motors with permanent magnet. With compact design, lightweight, low inertia, high torque to weight ratio they are the best solution for axially limited spaces.



	Units	BSM240-21-3	BSM240-26-3
Nominal Continuous torque at 3000 rpm ¹	N·m	21	26
Peak torque at 2000 rpm for 1s	N·m	50	85
Rated voltage	V _{DC}	565	565
Torque Constant (K _T)	N·m/A _{rms}	1.31	1.45
Back EMF Constant (K _E)	V _{rms} /Krpm	80	90
Nominal current	A _{rms}	16	17.9
Phase connection		Y	Y
Line-to-line resistance	Ω	0.35	0.27
Line-to-line inductance	mH	10.5	9.6
Thermal constant	°C/W	0.35	0.35
Number of poles		14	14
Inertia	Kg·cm ²	40	52
Resolver		2 poles	2 poles
Insulation class		F	F
Weight	Kg	18.5	20

¹ Motor front flange attached to a steel mounting plate measuring 300 x 300 x 20 mm.
Operation in still air with ambient temperatures up to 40 °C
Winding temperature at 100 °C over ambient



MOTOR	L
BSM 240-21-3	90
BSM 240-26-3	100

Dimensions in mm