



ELECTRICAL ENGINEERING Co.

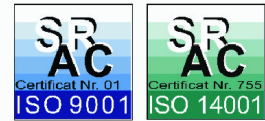
- RESEARCH AND DEVELOPMENT
- MANUFACTURING
- INTERNATIONAL BUSINESS



QUALITY-ENVIRONMENT INTEGRATE SYSTEM

313 Splaiul Unirii, 030138 Bucuresti, ROMANIA

Tel.:+40 21 5893300; Fax:+40 21 5893434; e-mail:icpe.sa@icpe.ro; http://www.icpe.ro



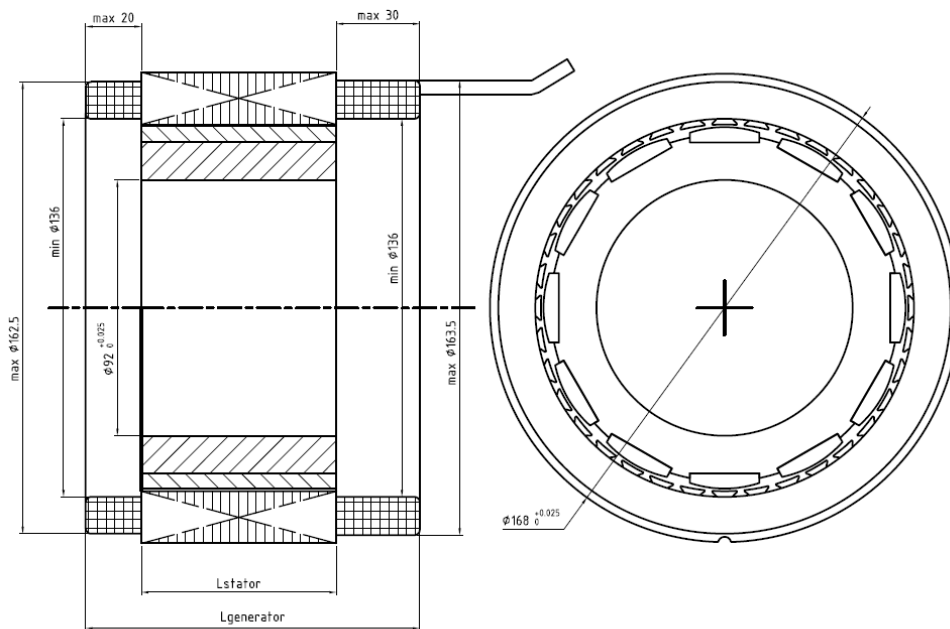
GENERATORS FOR SMALL WIND TURBINES - GS



Parameter/Generator type	GS 400-1	GS 600-1	GS 1000-1	GS 1500-1	units
Nominal power	400	600	1000	1500	W
Number of magnetic poles	12	12	12	12	
Back EMF per line	25	25	20	25	V @ 100 krpm
Nominal speed	370	370	370	370	rpm
Nominal current	3,3	6	10	13	A
Efficiency	82	83	83	84	%
Maximum ambient temperature	40	40	40	40	°C
Maximum temperature of the windings	155	155	155	155	°C

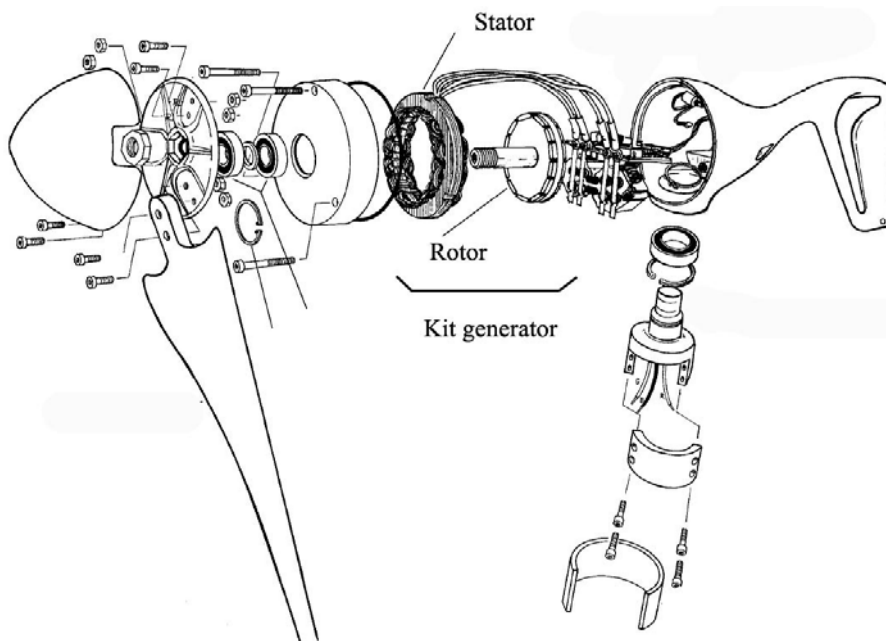
ADVANTAGES

- high efficiency
- small dimensions
- low maintenance



Generator	400 W	600 W	1000 W	1500 W
Lstator [mm]	50	70	130	200
Lgenerator [mm]	100	120	180	250
Diametru [mm]	168	168	168	168

EXAMPLE OF INTEGRATING THE KIT IN A WIND GENERATOR



- **The product is developed, tested and manufactured by ICPE SA**
- **Manufacturing in integrated quality-environment assurance system according to:**

SR EN ISO 9001:2001 and SR EN ISO 14001:2005