

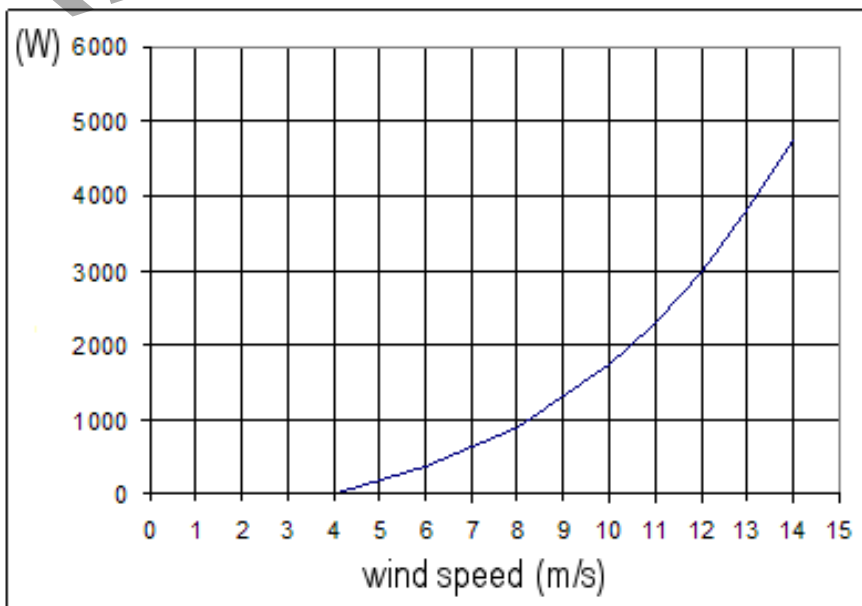
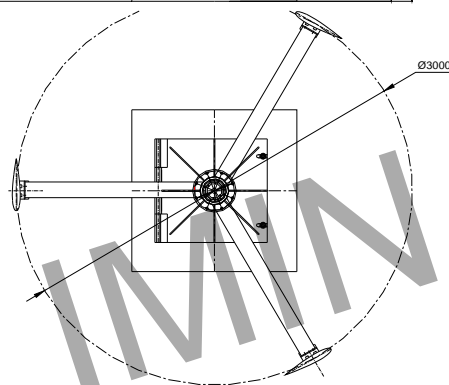
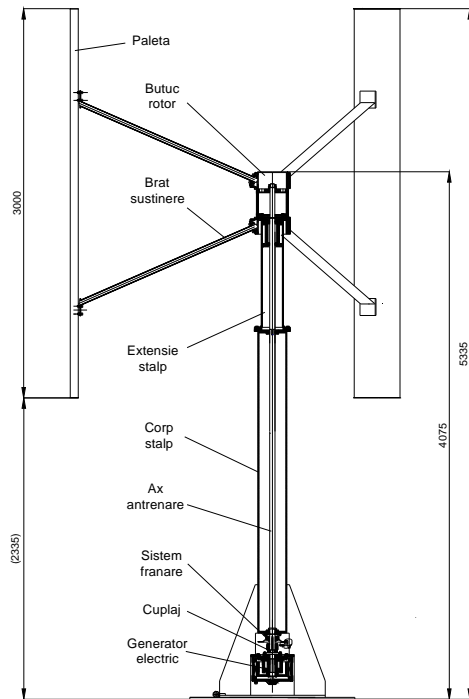


WIND GENERATOR GENAV 3000



Technical characteristics

<p>Rated power: 3 kW</p> <p>Wind speed</p> <ul style="list-style-type: none">- Rated wind speed: 12 m/s- Operational wind top speed: 25 m/s- Surviving wind speed: 45 m/s <p>Wind Turbine (Electric Generator) Speed</p> <ul style="list-style-type: none">- rated speed: 170 rpm- top speed: 200 rpm	<p>The Turbine</p> <ul style="list-style-type: none">- turbine height: 3 m- turbine diameter: 3 m- blade number: 3- weight: 120 kg- material: PAFS <p>The Generator</p> <ul style="list-style-type: none">- 3-phase permanent magnet synchronous generator- rated voltage: 200 V AC- rated current: 5A
---	--



Contact: servo@icpe.ro; tel/fax: 0213467233