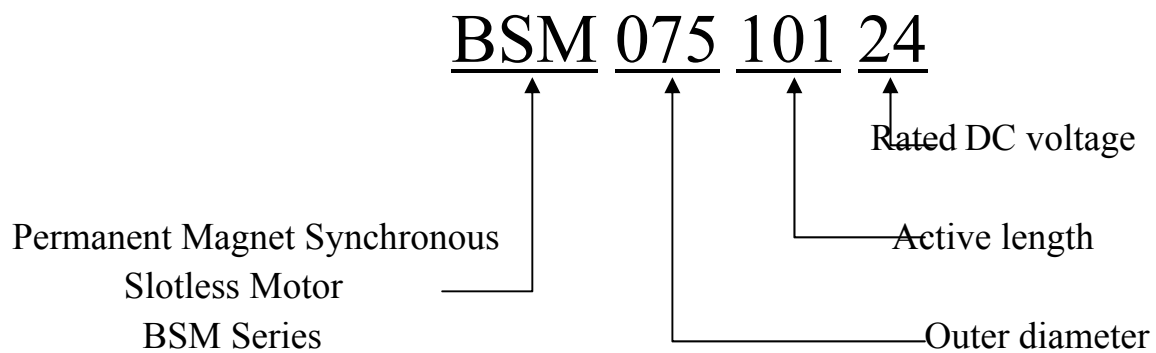




Permanent Magnet Synchronous Slotless Motor



ICPE

313 Splaiul Unirii

030138, București, România

tel./ fax +40213467233

email servo@icpe.ro

web <http://www.icpe.ro/>



Product Description

The slotless motor of BSM 075 101 24 is a high performance brushless synchronous motor excited by rare earth permanent magnets located on the rotor. This motor was optimized for increased power density, zero cogging torque and compact design.

The stator core consists of a ring made of laminated steel. Due to the slotless configuration, the three phase star connected winding is placed in the airgap between stator core and permanent magnets. The winding is bonded to the stator core. The rotor consists of a magnetic steel ring on which there are placed high energy permanent magnets. This motor was designed to offer very low torque ripple combined with zero cogging torque.

This motor can be customized in order to be easily adapted to a wide range of applications. The winding can be customized for different bus voltage values.

Features

- Zero cogging torque
- Increased power density
- Very low torque ripple
- Smooth operation
- Maintenance free
- High energy NdFeB magnets maximize torque density
- Customized winding for different desired voltage

Applications

- Machine tools
- Laser scanning and printing
- Motion simulators
- Robots
- Medical equipment

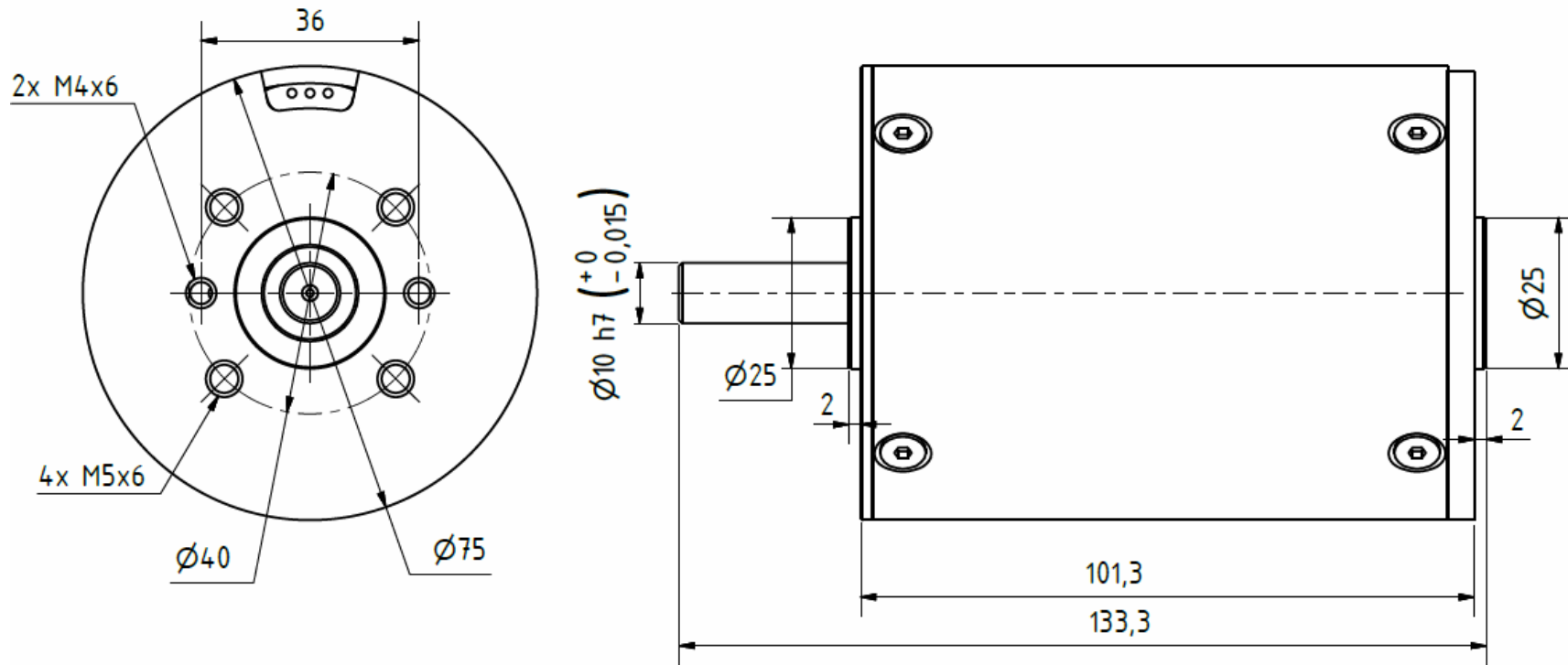


Slotless motor BSM 075 101 24 Specifications

Parameters	Tolerances	Units	BSM 075 100 - 24
Nominal power	±10%	<i>W</i>	540
Efficiency		%	> 90
Stall torque	±10%	<i>Nm</i>	1.3
Continuous torque	±10%	<i>Nm</i>	1.3
Peak torque	±10%	<i>Nm</i>	5.2
Cogging torque		<i>Nm</i>	0
Rated voltage	±10%	<i>V_{DC}</i>	24
Stall current	±10%	<i>A_{rms}</i>	3.4
Continuous current	±10%	<i>A_{rms}</i>	3.4
Peak current	±10%	<i>A_{rms}</i>	12
Rated speed	±10%	<i>rpm</i>	4000
Torque constant (<i>K_T</i>)	±10%	<i>Nm/A_{RMS}</i>	0.065
Back EMF constant (<i>K_E</i>)	±10%	<i>V_{peak}/Krpm</i>	5.6
Inertia	±10%	<i>Kg·cm²</i>	3.4
Weight	±10%	<i>Kg</i>	1.4
Phase connection			Y
Number of poles			10
Electrical resistance (at 20°C)	±10%	<i>Ω</i>	0.07
Electrical inductance	±20%	<i>mH</i>	0.05
Insulation class			F
Ambient temperature		<i>°C</i>	-30 to +40
Protection grade			IP 50
Speed/position sensor			No



Slotless motor BSM 075 101 24 Dimensions



* Dimension in mm