



ELECTRICAL ENGINEERING Co.

- RESEARCH AND DEVELOPMENT
- MANUFACTURING
- INTERNATIONAL BUSINESS



QUALITY-ENVIRONMENT INTEGRATE SYSTEM

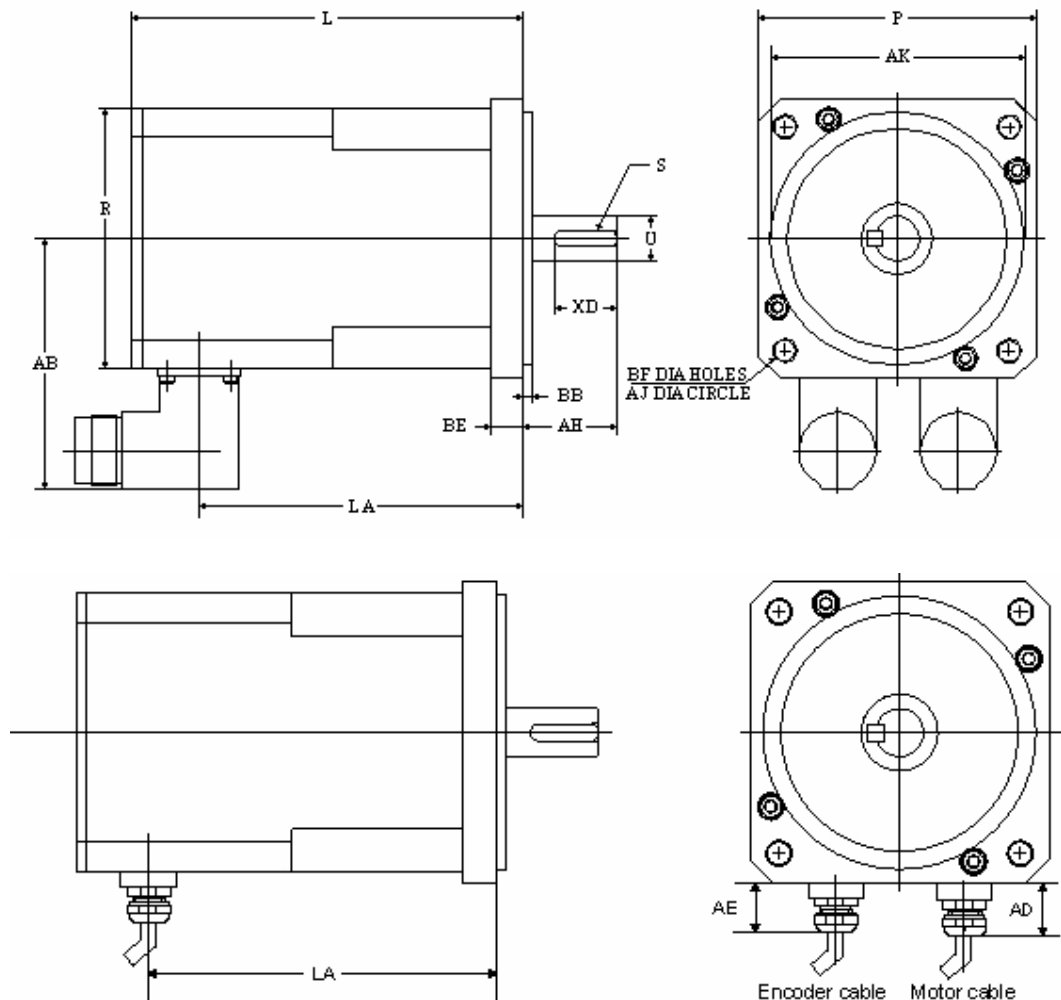


313 Splaiul Unirii, 030138 Bucuresti, ROMANIA

Tel.:+40 21 5893300; Fax:+40 21 5893434; e-mail:icpe.sa@icpe.ro; http://www.icpe.ro

Brushless Synchronous Servomotors - NEMA Series

Motor type	Equivalent BSM type
2301	BSM 55 - 0020
2303	BSM 55 - 0050
2305	BSM 55 - 0070
2307	BSM 55 - 0085
2313	BSM 55 - 0150
3406	BSM 88 - 0100
3409	BSM 88 - 0170
3415	BSM 88 - 0260
3422	BSM 88 - 0350
3429	BSM 88 - 0420
4232	BSM 105 - 0450
4248	BSM 105 - 0650
4265	BSM 105 - 0750
4283	BSM 105 - 1000



Motor type	R	AB	P	U ⁽¹⁾	AH ⁽²⁾	S ⁽³⁾	XD	BE	AJ	AK	BF ⁽⁷⁾	BB	L	L (w/brake)	LA	LA (w/brake)
2301	73	67.5	57.66	7.94	23.8252	N/A	N/A	7	66.7	38.1 ⁽⁵⁾	5.21	2.29	93	126	76	109
2303	73	67.5	57.66	7.94	23.8252	N/A	N/A	7	66.7	38.1 ⁽⁵⁾	5.21	2.29	118	151	101	134
2305	73	67.5	57.66	7.94	23.8252	N/A	N/A	7	66.7	38.1 ⁽⁵⁾	5.21	2.29	138	171	121	154
2307	73	67.5	57.66	7.94	23.8252	N/A	N/A	7	66.7	38.1 ⁽⁵⁾	5.21	2.29	158	191	141	174
2313	73	67.5	57.66	7.94	23.8252	N/A	N/A	7	66.7	38.1 ⁽⁵⁾	5.21	2.29	238	271	221	254
3406	104	81.0	88.39	12.70	38.10	3.175 x 3.175	19.05	8	98.4	73.025 ₍₅₎	5.59	3.05	105	145	84	124
3409	104	81.0	88.39	12.70	38.10	3.175 x 3.175	19.05	8	98.4	73.025 ₍₅₎	5.59	3.05	125	165	104	144
3415	104	81.0	88.39	12.70	38.10	3.175 x 3.175	19.05	8	98.4	73.025 ₍₅₎	5.59	3.05	145	185	124	164
3422	104	81.0	88.39	12.70	38.10	3.175 x 3.175	19.05	8	98.4	73.025 ₍₅₎	5.59	3.05	165	205	144	184
3429	104	81.0	88.39	12.70	38.10	3.175 x 3.175	19.05	8	98.4	73.025 ₍₅₎	5.59	3.05	195	235	174	214
4232	119	92.5	106.68	19.05	57.15	4.7625 x 4.7625	23.88	10	125.7	55.5752 ₍₅₎	7.11	3.05	169.4	209.4	149.4	189.4
4248	119	92.5	106.68	19.05	57.15	4.7625 x 4.7625	23.88	10	125.7	55.5752 ₍₅₎	7.11	3.05	199.4	239.4	179.4	219.4
4265	119	92.5	106.68	19.05	57.15	4.7625 x 4.7625	23.88	10	125.7	55.5752 ₍₅₎	7.11	3.05	219.4	259.4	199.4	239.4
4283	119	92.5	106.68	19.05	57.15	4.7625 x 4.7625	23.88	10	125.7	55.5752 ₍₅₎	7.11	3.05	264.4	304.4	244.4	284.4
				⁽¹⁾ 0/-0.0125			⁽⁵⁾ 0/-0.05									
				⁽²⁾ +0.75/-0.75			⁽⁶⁾ 0/-0.075									
				⁽³⁾ +0.025/0			⁽⁷⁾ +0.025/-0.25									
				⁽⁴⁾ +0.35/0												
Units of measurement: mm																

The product is developed, tested and manufactured by ICPE SA

- **Manufacturing in integrated quality-environment assurance system according to:**
SR EN ISO 9001:2001 and SR EN ISO 14001:2005